



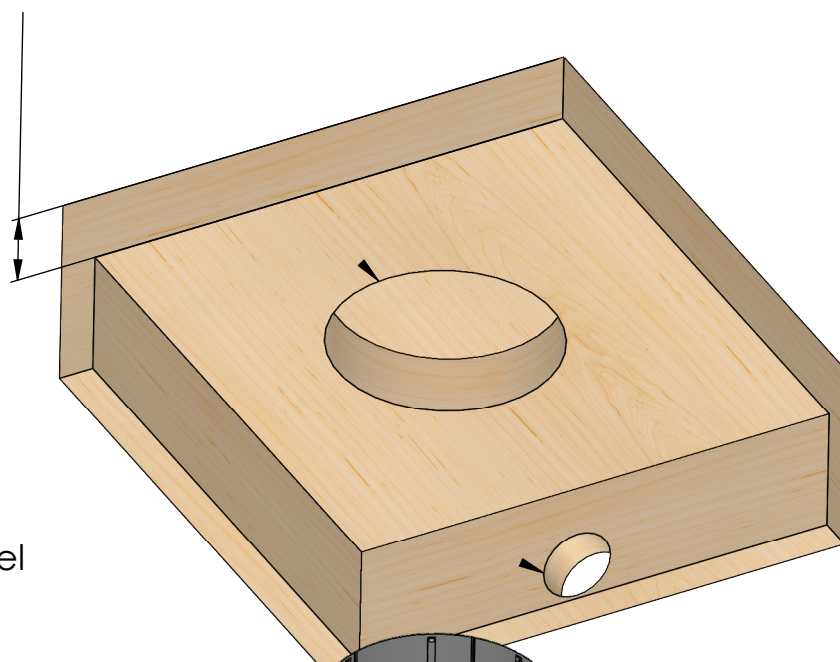
# WIRELESS CHARGER W-1

## DUAL CHARGING TECHNOLOGY

### MOUNTING INSTRUCTION "UNDER FURNITURE TOP"



### WIRELESS CHARGER W-1 + USB-EC-A2FS-B/LI

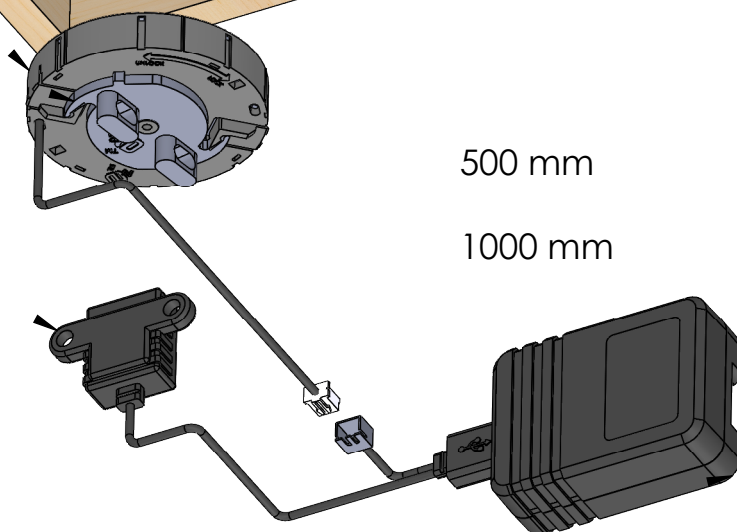


Please twist this handle in CCW direction till you feel resistance

USB HUB TYPE A/LI

Round cable  $\varnothing 3,6$  mm

Air jack connector should be disconnected before mounting



500 mm

1000 mm



DC power supply 5V 2,5A

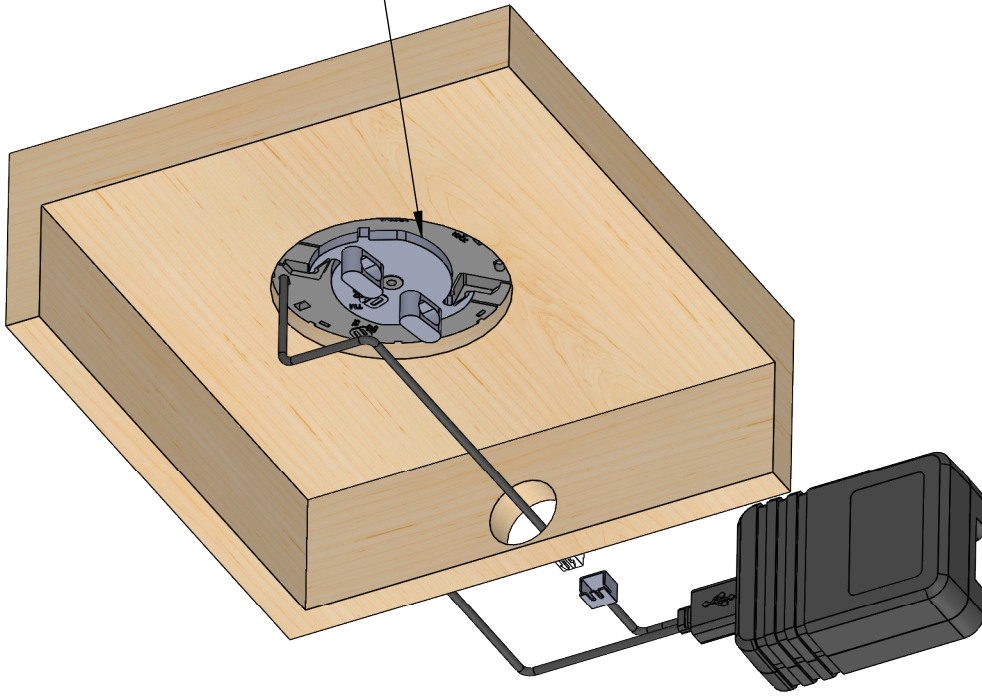
Step 1

Patent pending

# WIRELESS CHARGER W-1

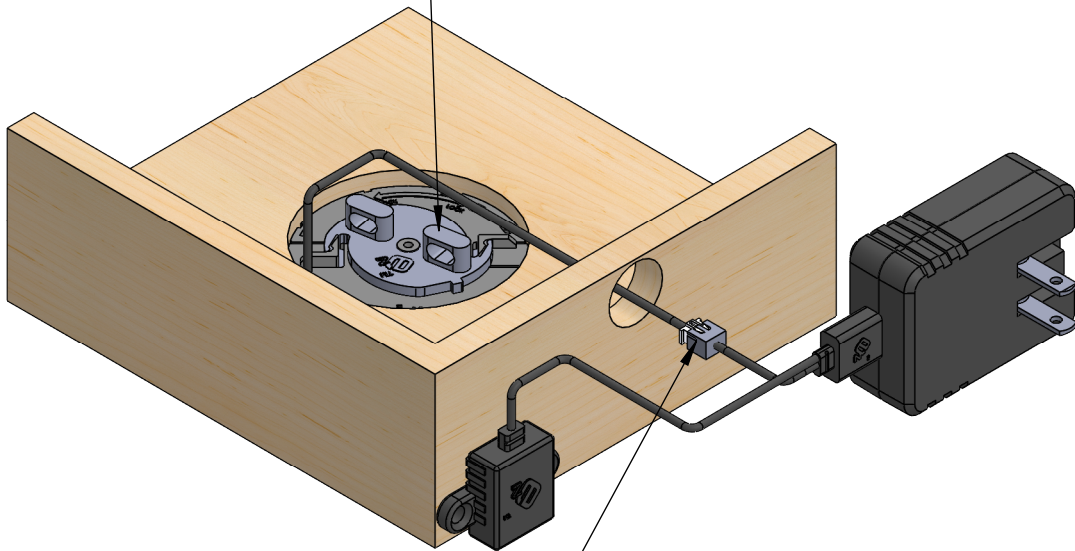


Install W-1 wireless charging device into prepared hole



If wireless charger device fits properly to the hole and you feel that device can not be pushed deeper please twist this part in CW direction to lock

Step 2

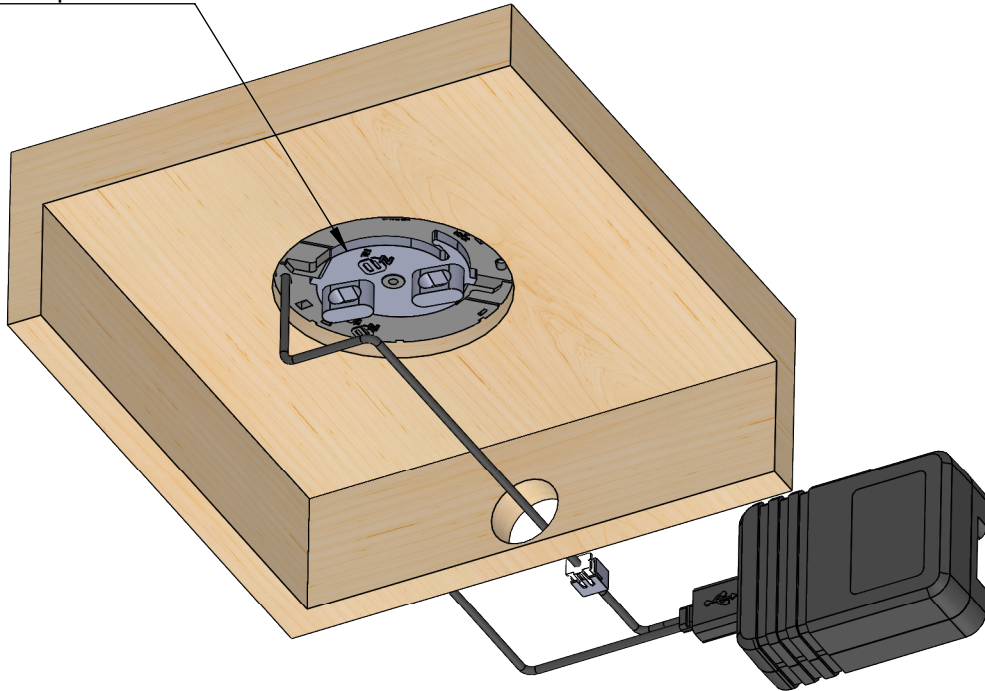


Connect air jack connector after mounting in furniture

Step 3

# WIRELESS CHARGER W-1

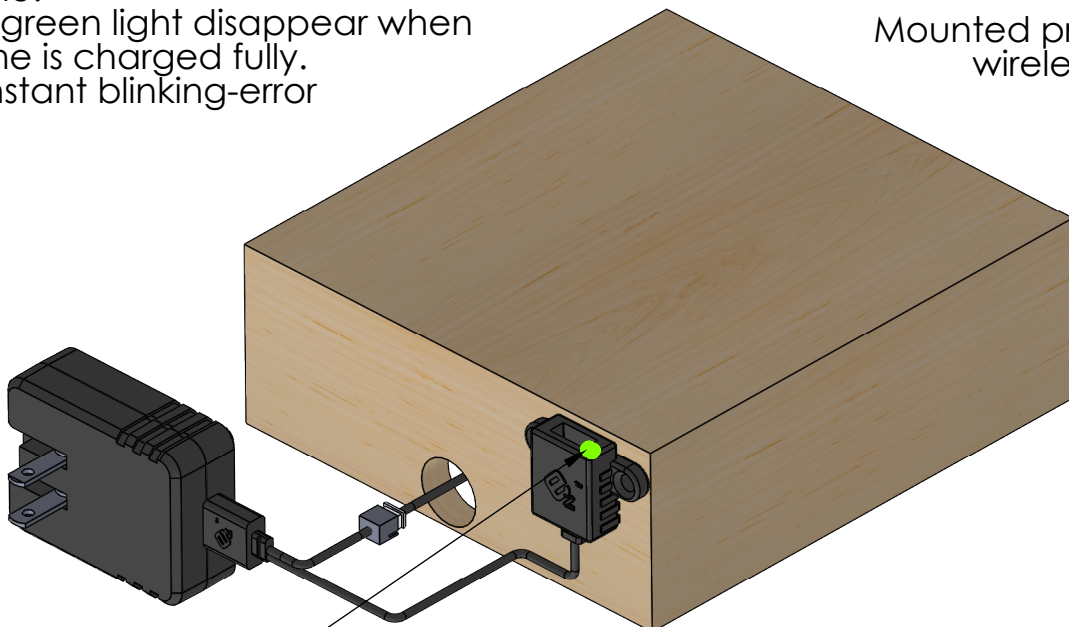
Locker should look like at the picture when is in the closed position



- Light description:
- One blink at power on
  - Constant lightening when Wireless charger is charging phone.
  - The green light disappear when phone is charged fully.
  - Constant blinking-error

Step 4

Mounted properly  W-1 wireless charger



Light

Step 5