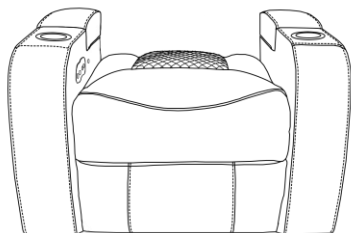
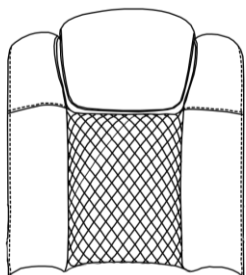


366 - 13

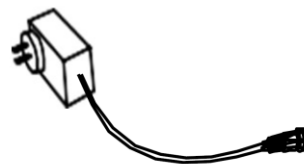
A x 1



B x 1



C x 1



D x 1



Not included
No se ajunta
Non inclus

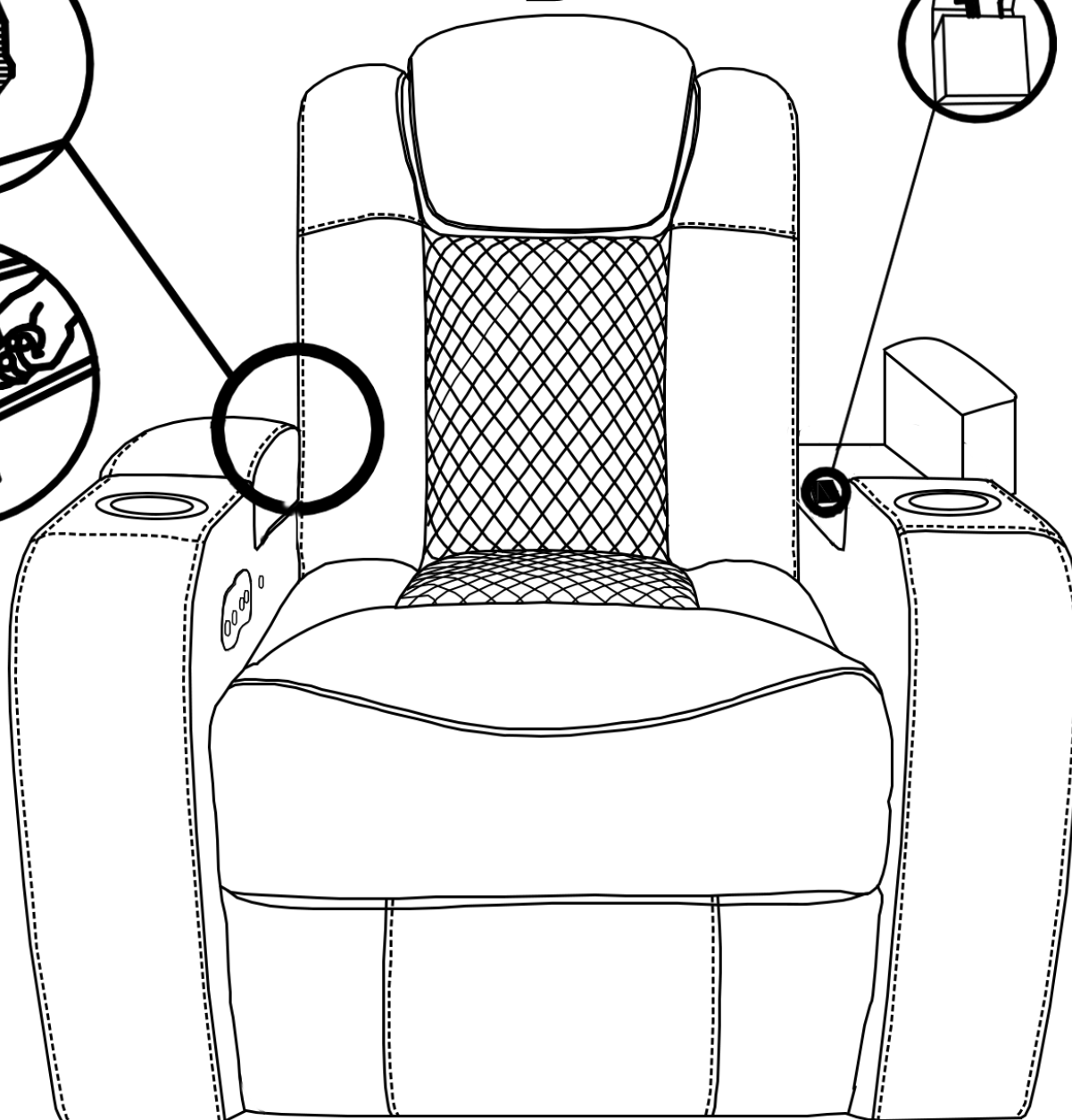


x2



B

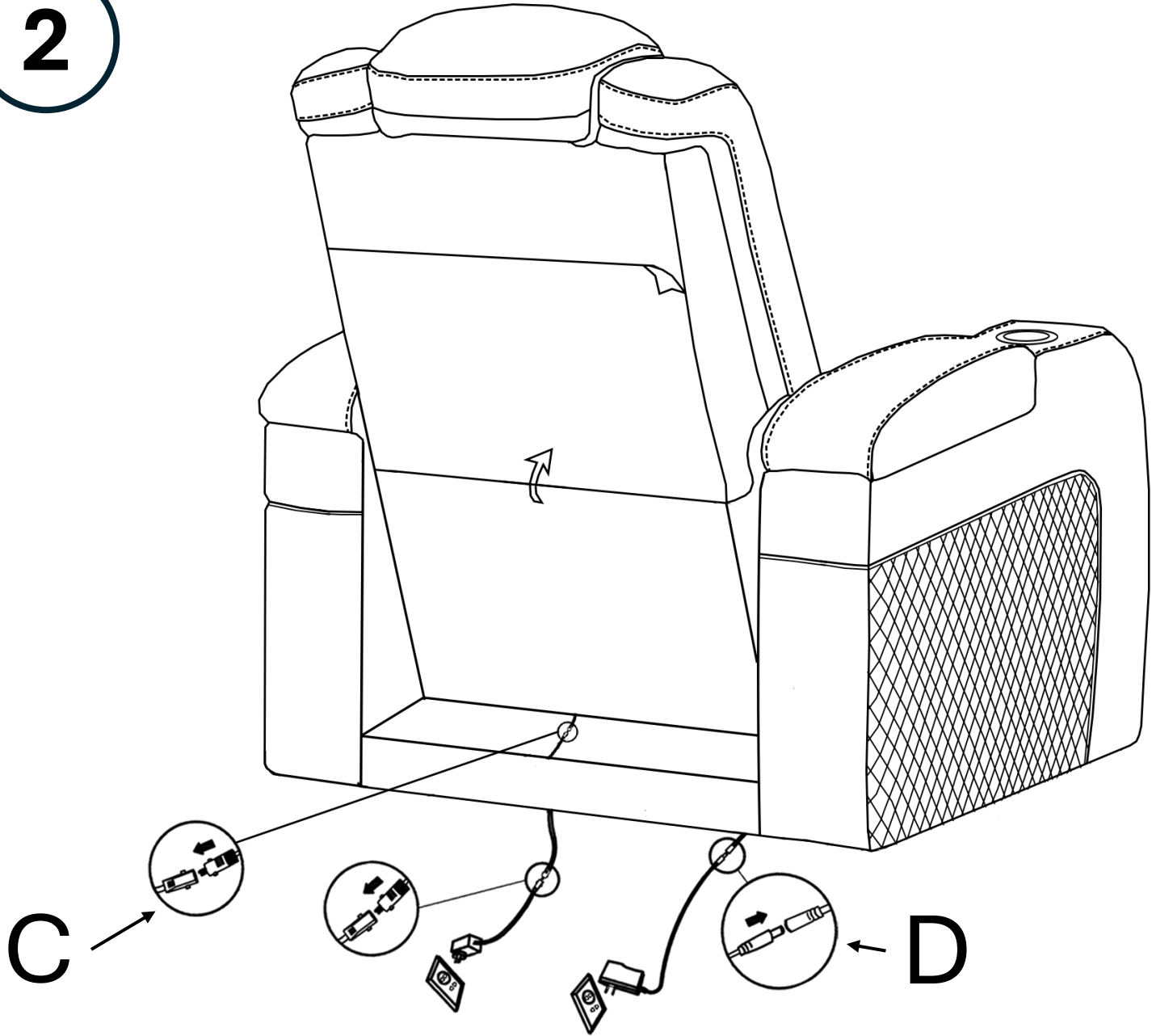
D



1

A

2



3

