

Assembly Instruction For








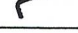







AMBERLEY FULL UPH CORNER HEADBOARD & FOOTBOARD WITH USB / AMBERLEY FULL UPH CORNER RAILS WITH LED

B-480-3-FHBS / B-480-3-FCR

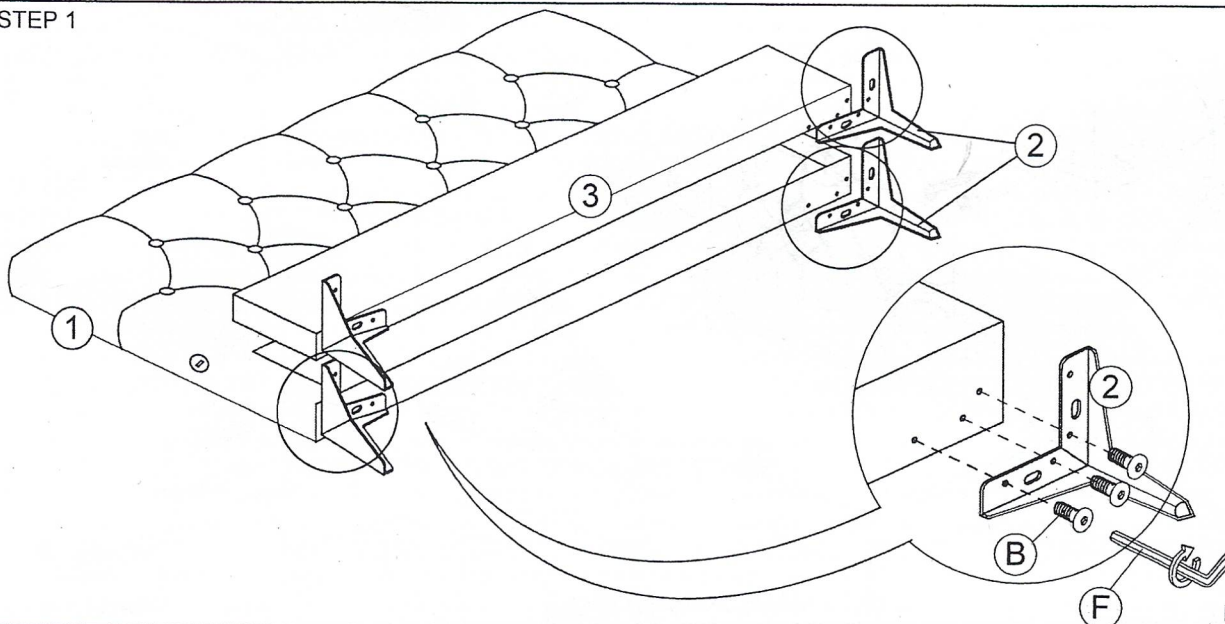
Caution: Please read instructions thoroughly before unpacking assembly parts. Sharp, exposed staple tips can cause injury, therefore, for your protection, please remove any exposed staples used in packing.

1. We recommend that you should assemble this product with the assistance of another person; this will make assembly easier, and will help to eliminate damage to the product or injury to persons during assembly.
2. Be sure to check all packing materials carefully for small parts that may have come loose inside the carton during shipment.
3. Please do not over tighten screws or bolts.
4. Please put all parts on a non-abrasive floor before assembly, and follow the assembly steps to assemble your newly purchased product correctly and efficiently.

PART LIST			
NO.	PART DESC	CODE	Q'TY
1	HEADBOARD		1
2	LEG		4
3	FOOTBOARD		1
4	SIDE PANEL		1
5	SIDE RAIL (FRONT)		1
6	SIDE RAIL (BACK)		1
7	ROLL SLAT		2
8	CENTER SUPPORT		2
9	SUPPORT LEG WITH HANGER BOLT		4

HARDWARE LIST			
NO.	HARDWARE DESC	CODE	Q'TY
A	 JCBC SCREW (M8 x 20MM)		8
B	 JCBC SCREW (M6 x 15MM)		12
C	 JCBC SCREW (M6 x 35MM)		8
D	 JCBC SCREW (M6 x 40MM)		1
E	 CSK C/B SCREW (M4 x 32MM)		12
F	 M4 ALLEN KEY (100MM)		1
G	 M5 ALLEN KEY (65MM)		1
H	 CSK C/B SCREW (M3.5 x 10MM)		4
I	 SENSOR		1
J	 SUPPORT WOOD		1
K	 L BRACKET		1
L	 IRON SHEET		2
M	 CLIP		4
N	 ADAPTOR FOR USB		1
O	 ADAPTOR FOR LED		1

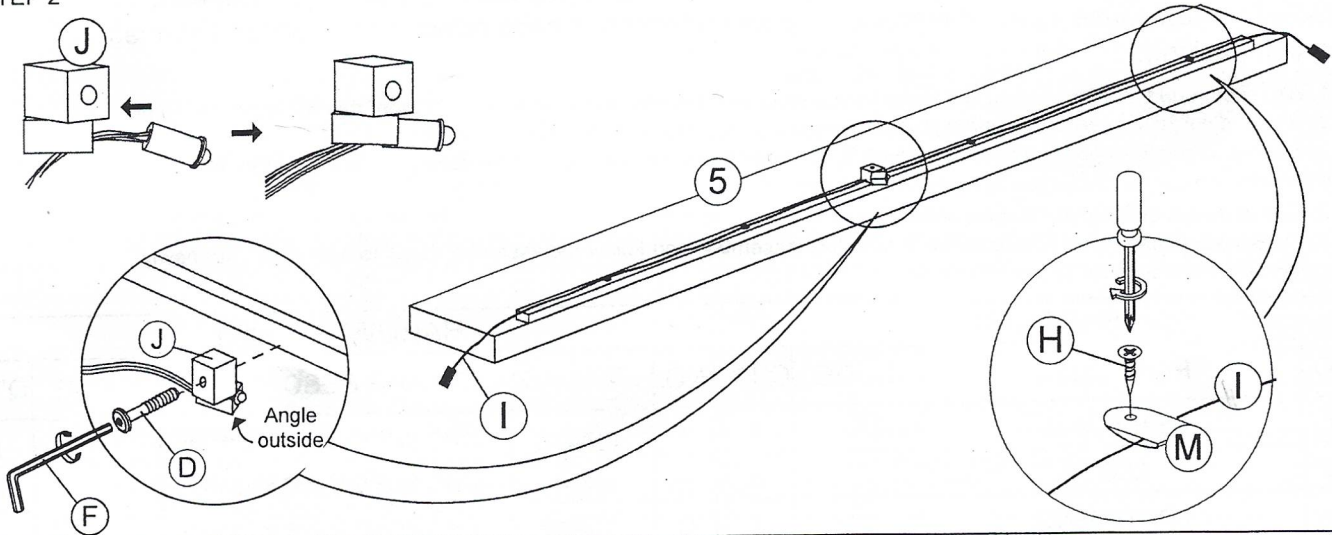
STEP 1



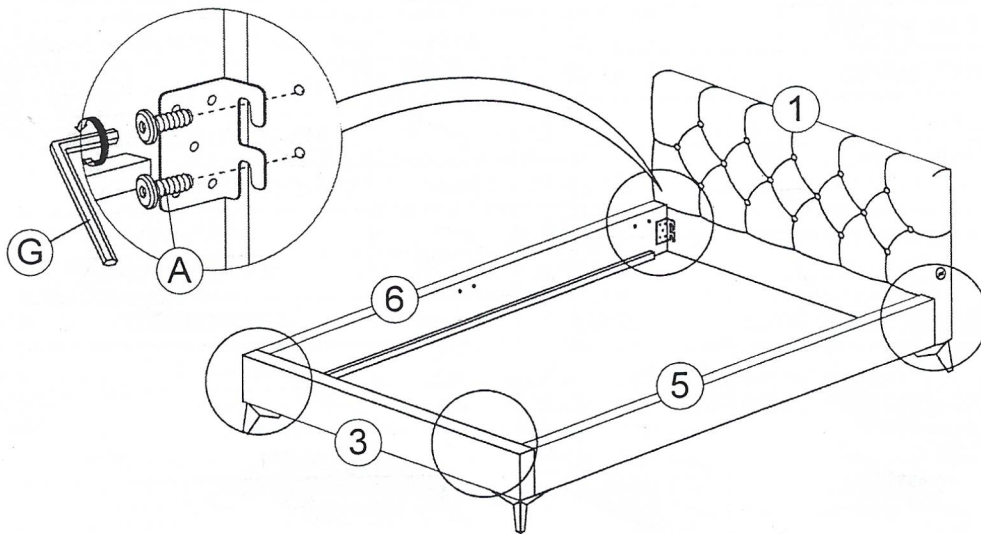
Assembly Instruction For

AMBERLEY FULL UPH CORNER HEADBOARD & FOOTBOARD WITH USB /
 AMBERLEY FULL UPH CORNER RAILS WITH LED
 B-480-3-FHBS / B-480-3-FCR

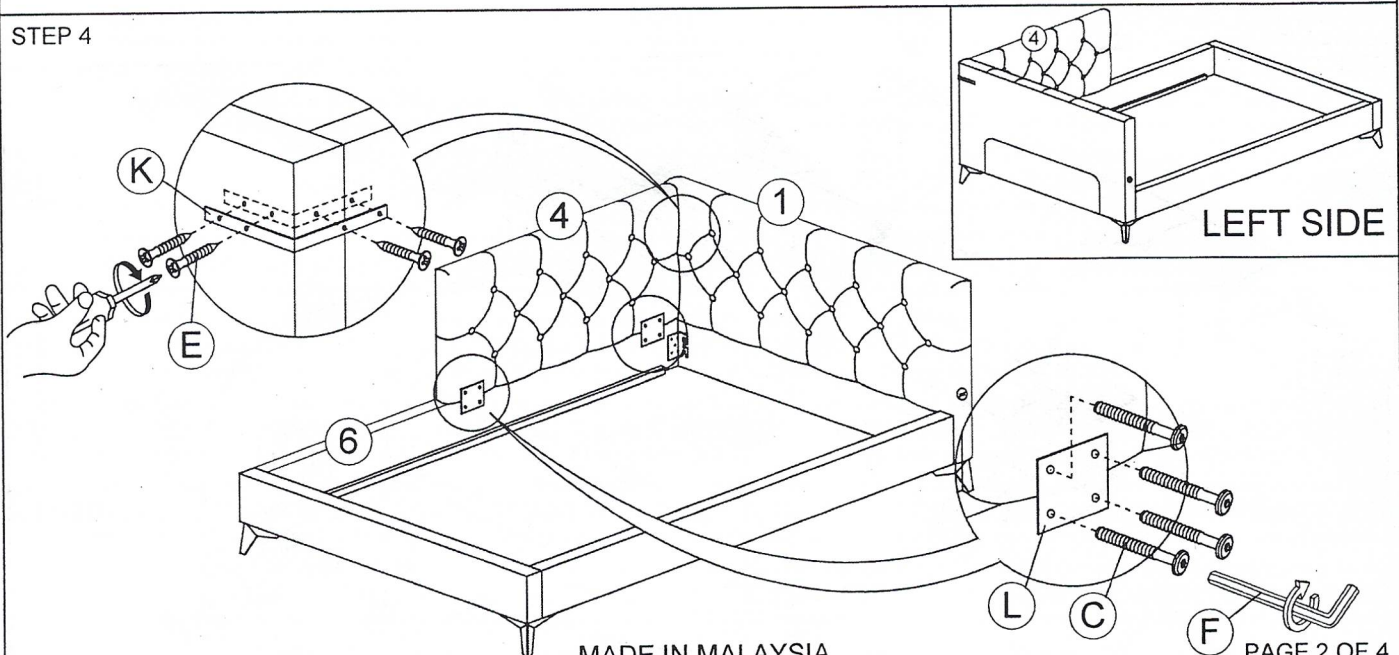
STEP 2



STEP 3



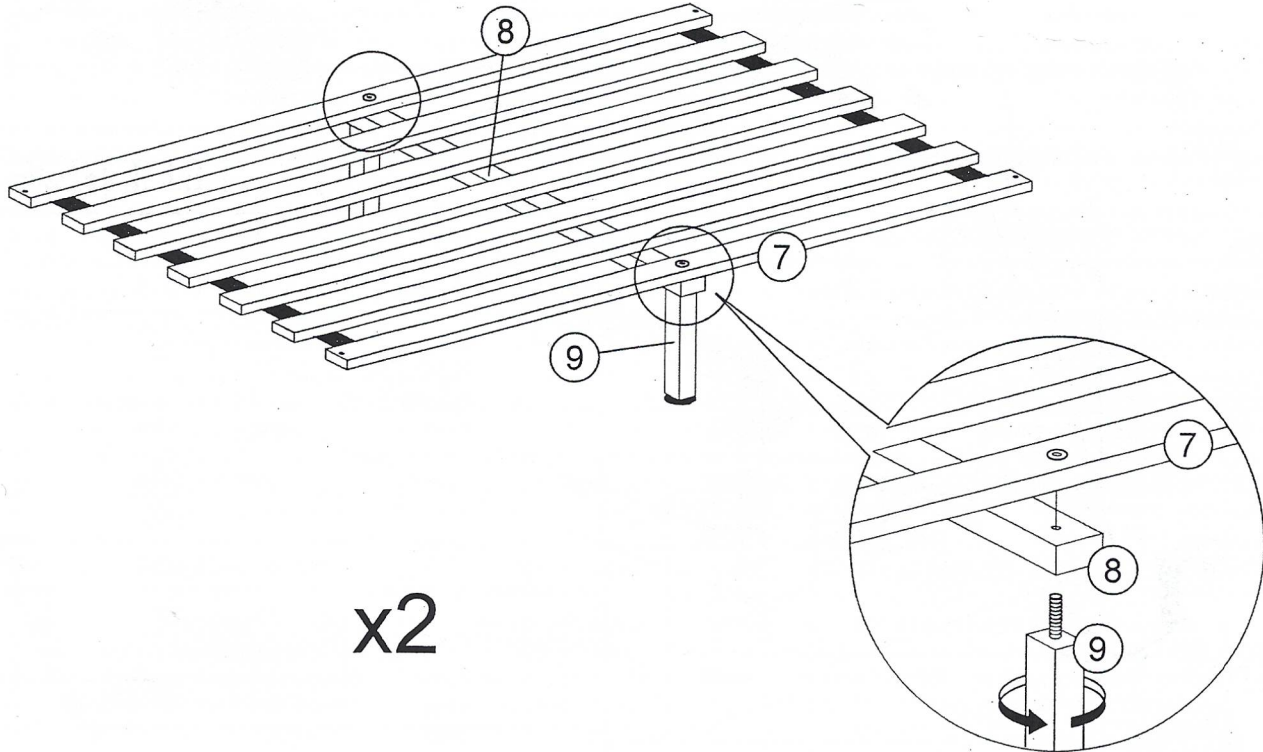
STEP 4



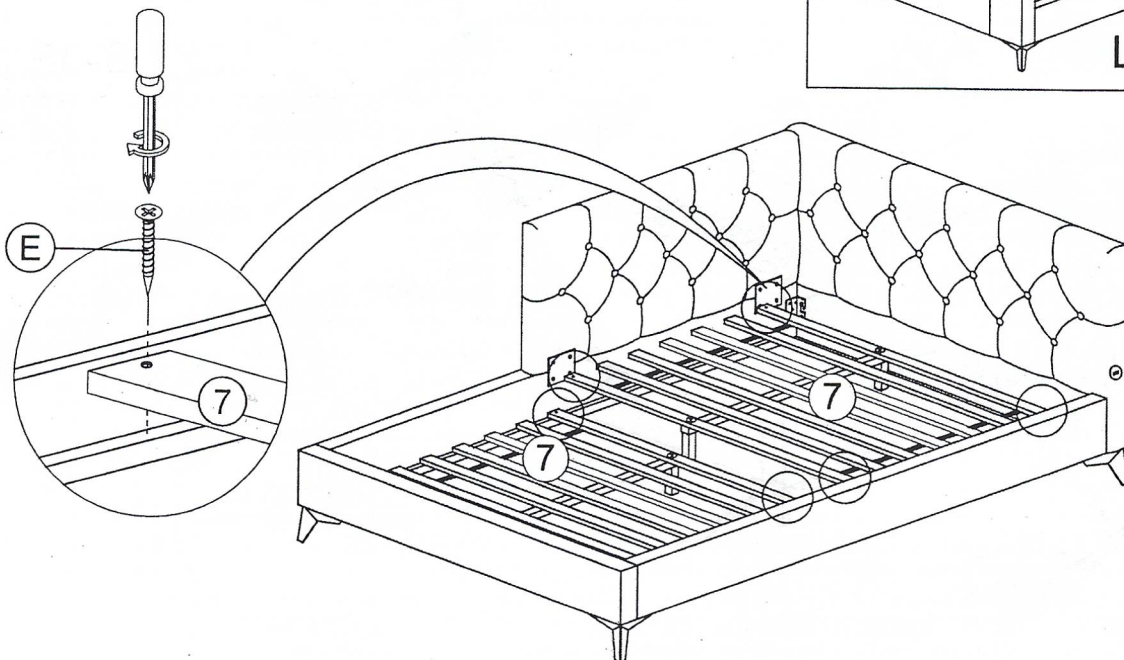
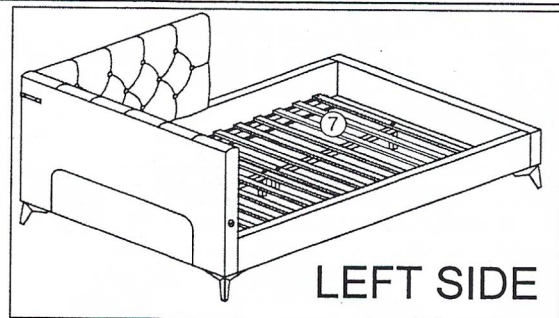
Assembly Instruction For

AMBERLEY FULL UPH CORNER HEADBOARD & FOOTBOARD WITH USB /
AMBERLEY FULL UPH CORNER RAILS WITH LED
B-480-3-FHBS / B-480-3-FCR

STEP 5



STEP 6



Assembly Instruction For

AMBERLEY FULL UPH CORNER HEADBOARD & FOOTBOARD WITH USB /
AMBERLEY FULL UPH CORNER RAILS WITH LED
B-480-3-FHBS / B-480-3-FCR

STEP 7
COMPLETED

