

# ASSEMBLY INSTRUCTION FOR QUEEN PANEL STORAGE BED

B-13030-3-QH/ B-13030-3-QSF/ B-13030-3-QKSR  
B-13030-5-QH/ B-13030-5-QSF/ B-13030-5-QKSR  
B-13030-7-QH/ B-13030-7-QSF/ B-13030-7-QKSR

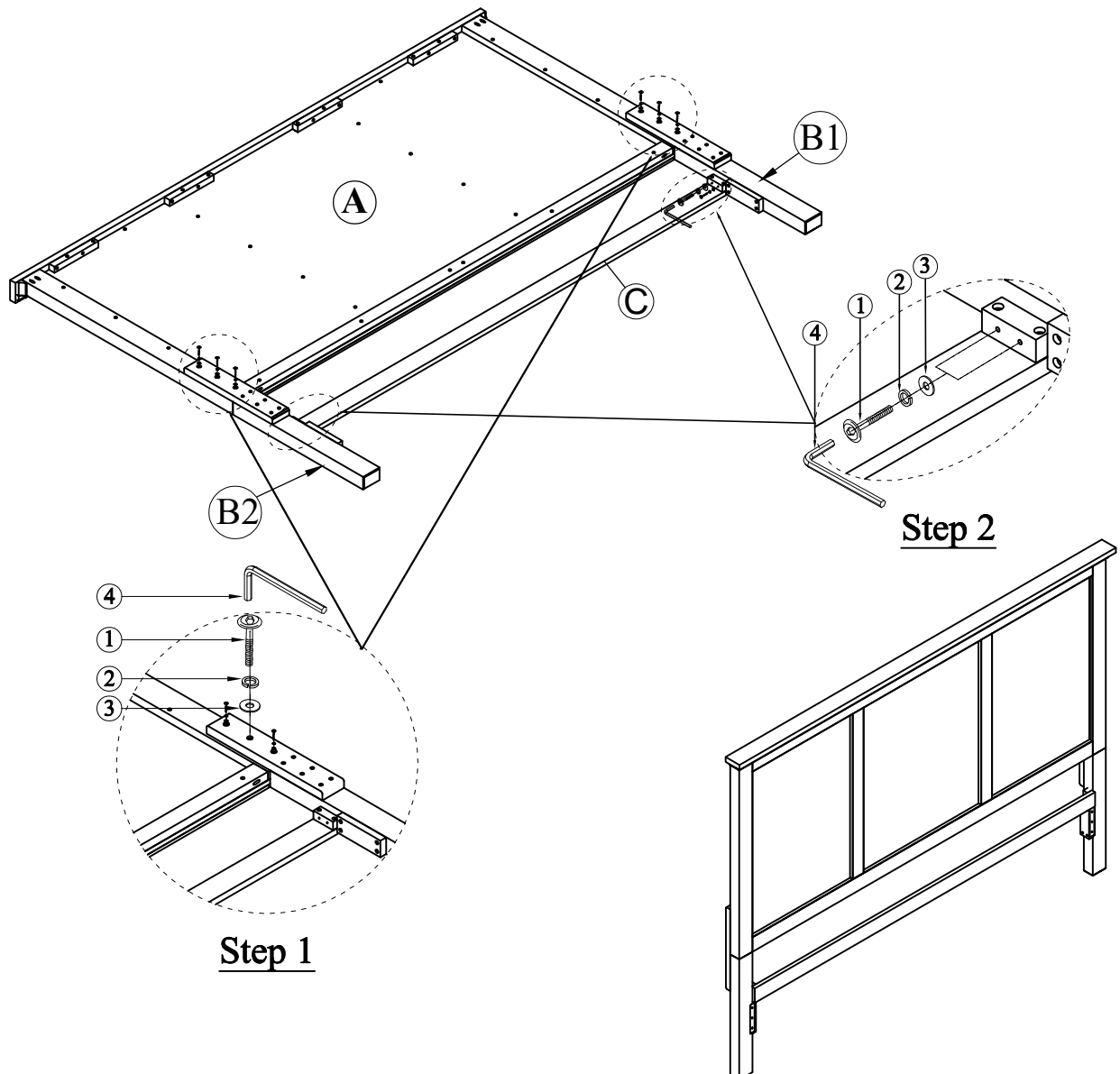
**Cautions:** Please read instructions thoroughly before unpacking assembly parts. Sharp, exposed staple tips can cause injury, therefore, for your protection, please remove any exposed staples used in parking.

1. We recommend that you should assemble this product with the assistance of another person; this will make assembly easier, and will help to eliminate damage to the product or injury to persons during assembly.
2. Be sure to check all packing materials carefully for small parts that may have come loose inside the carton during shipment.
3. Please do not over tighten screws or bolts.
4. Please put all parts on a non-abrasive floor before assembly, and follow the assembly steps to assemble your newly purchased product correctly and efficiently.

PART LIST FOR HEADBOARD			
No.	Part description	Code.	Q'ty
A	HEADBOARD		1
B1	HEADBOARD LEFT LEG	PB-13030-3-HBLEG1 PB-13030-5-HBLEG1 PB-13030-7-HBLEG1	1
B2	HEADBOARD RIGHT LEG	PB-13030-3-HBLEG2 PB-13030-5-HBLEG2 PB-13030-7-HBLEG2	1
C	BOTTOM STRETCHER	PB-13030-3-QHSTR PB-13030-5-QHSTR PB-13030-7-QHSTR	1

HARDWARE LIST			
No.	Hardware Description	Code.	Q'ty
1	Bolt (Ø1/4" x 1 3/4")	PB-13030-KBHW	10
2	Lock Washer (Ø1/4" x 3/8")		10
3	Small Flat washer (Ø1/4"x1/2")		10
4	Allen key (4 x 59mm)		1
<b>HeadBoard Hardware Packed with HeadBoard</b>			

**⚠** Only tighten all bolts when all bolts aligned with bolt inserts.



# ASSEMBLY INSTRUCTION FOR

## QUEEN PANEL STORAGE BED

B-13030-3-QH/ B-13030-3-QSF/ B-13030-3-QKSR

B-13030-5-QH/ B-13030-5-QSF/ B-13030-5-QKSR

B-13030-7-QH/ B-13030-7-QSF/ B-13030-7-QKSR

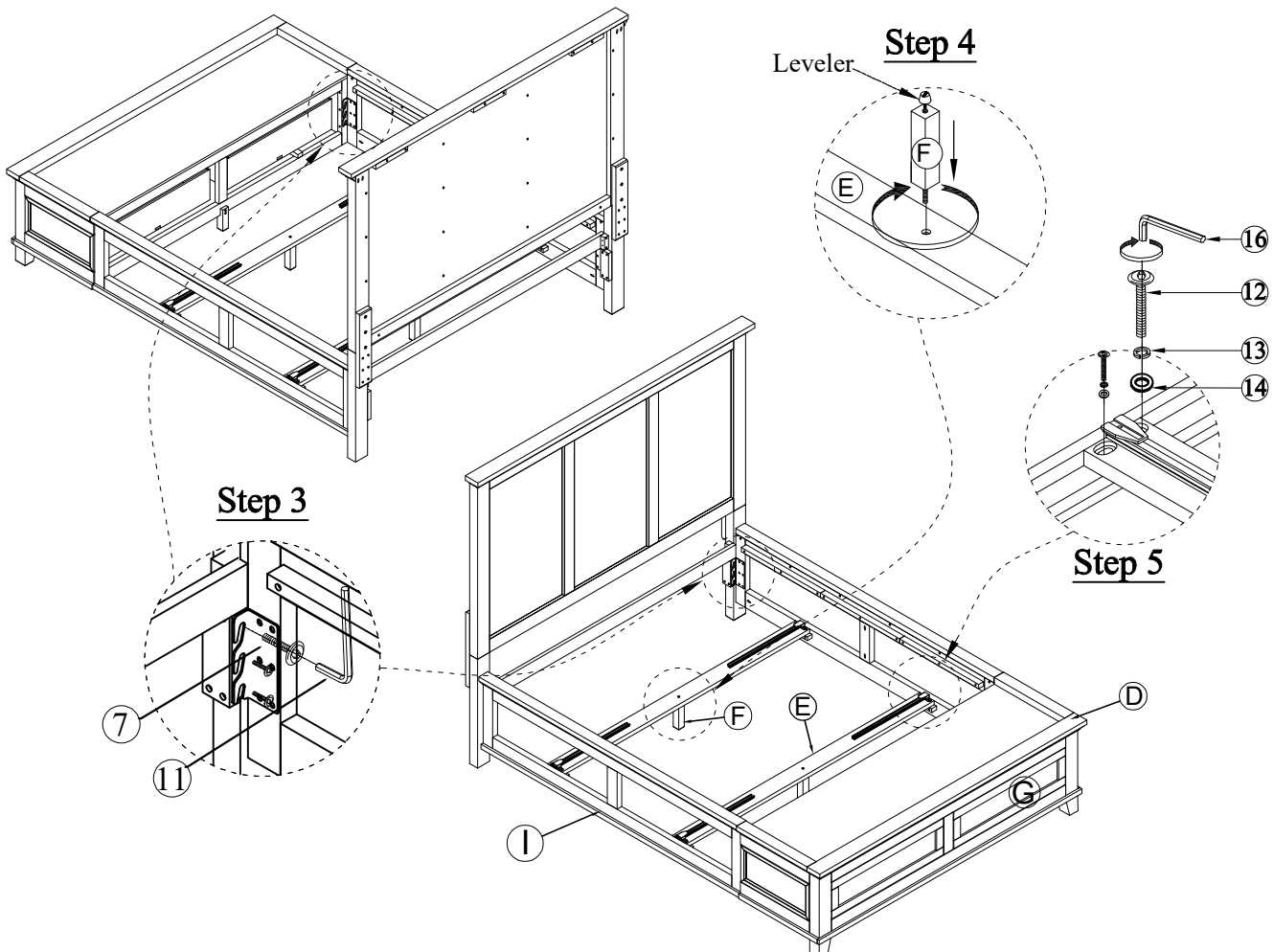
### PART LIST FOR FOOTBOARD

No.	Part Description	Code	Q'ty
D	FOOTBOARD		1
E	QUEEN SIDE RAIL STORAGE DRAWER SLAT	PB-13030-QRSLT	2
F	BED STORAGE DRAWER SUPPORT LEG WITH LEVELER	PB-13030-SDSPL	2
G	QUEEN FOOTBOARD STORAGE DRAWER	PB-13030-3-QSFDRW PB-13030-5-QSFDRW PB-13030-7-QSFDRW	2
H	QUEEN/KING RAIL STORAGE DRAWER	PB.13030-3-SRDRW PB.13030-5-SRDRW PB.13030-7-SRDRW	4

**⚠** Only tighten all bolts when all bolts aligned with bolt inserts.

### HARDWARE LIST

No	Hardware Description	Code	Q'ty	
5	Bolt (Ø5/32" x 22mm)	PB-13030-KBHW	12	
6	Handle		6	
7	Short Bolt (Ø5/16" x 1")		12	
8	Bolt (Ø1/4" x 1 3/8")		32	
9	Lock washer (Ø1/4" x 3/8")		32	
10	Flat washer (Ø1/4" x 3/4")		32	
11	Allen key(4 x 59mm)		1	
RAILS HARDWARE PACKED WITH RAIL				
12	Bolt (Ø1/4" x 1 3/8")		PB-13030-KBHW	8
13	Lock washer (Ø1/4" x 3/8")			8
14	Flat washer (Ø1/4" x 3/4")			8
15	Screw (Ø4 x 30mm)	20		
16	Allen key(4 x 59mm)	1		
FOOTBOARD HARDWARE PACKED WITH FOOTBOARD				



Note: If the up and down side of storage drawer can't fit with footboard frame, adjust height of support leg (step 3), If the right and left side of storage drawer front can't fit with footboard frame. Please adjust the end position of plywood where storage glides sit on (step 4).

# ASSEMBLY INSTRUCTION FOR

## QUEEN PANEL STORAGE BED

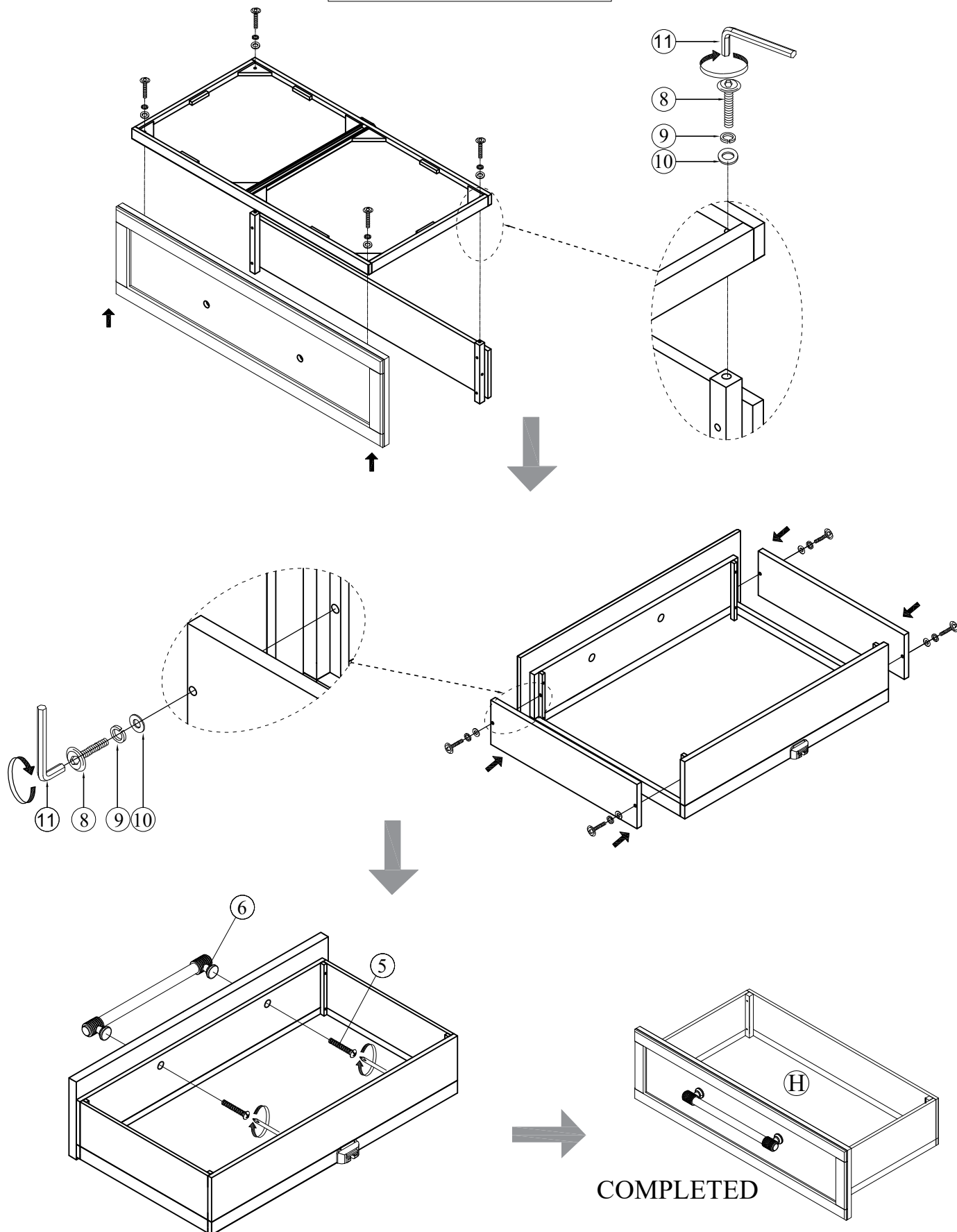
B-13030-3-QH/ B-13030-3-QSF/ B-13030-3-QKSR

B-13030-5-QH/ B-13030-5-QSF/ B-13030-5-QKSR

B-13030-7-QH/ B-13030-7-QSF/ B-13030-7-QKSR

### STEP 6

### STORAGE DRAWER



COMPLETED

# ASSEMBLY INSTRUCTION FOR

## QUEEN PANEL STORAGE BED

B-13030-3-QH/ B-13030-3-QSF/ B-13030-3-QKSR  
 B-13030-5-QH/ B-13030-5-QSF/ B-13030-5-QKSR  
 B-13030-7-QH/ B-13030-7-QSF/ B-13030-7-QKSR

### PART LIST FOR RAIL

No.	Part Description	Code	Q'ty
I	QUEEN/KING BED SIDE RAIL		2
J	QUEEN BED SLAT WITH 1 SUPPORT LEG	PB-13030-QSFSLT1	4
K	QUEEN BED SLAT WITHOUT SUPPORT LEG	PB-13030-QSFSLT	6
L	BED SLATS SUPPORT LEG WITH LEVELER	PB-13030-BDSPL	4

**⚠** Only tighten all bolts when all bolts aligned with bolt inserts.

