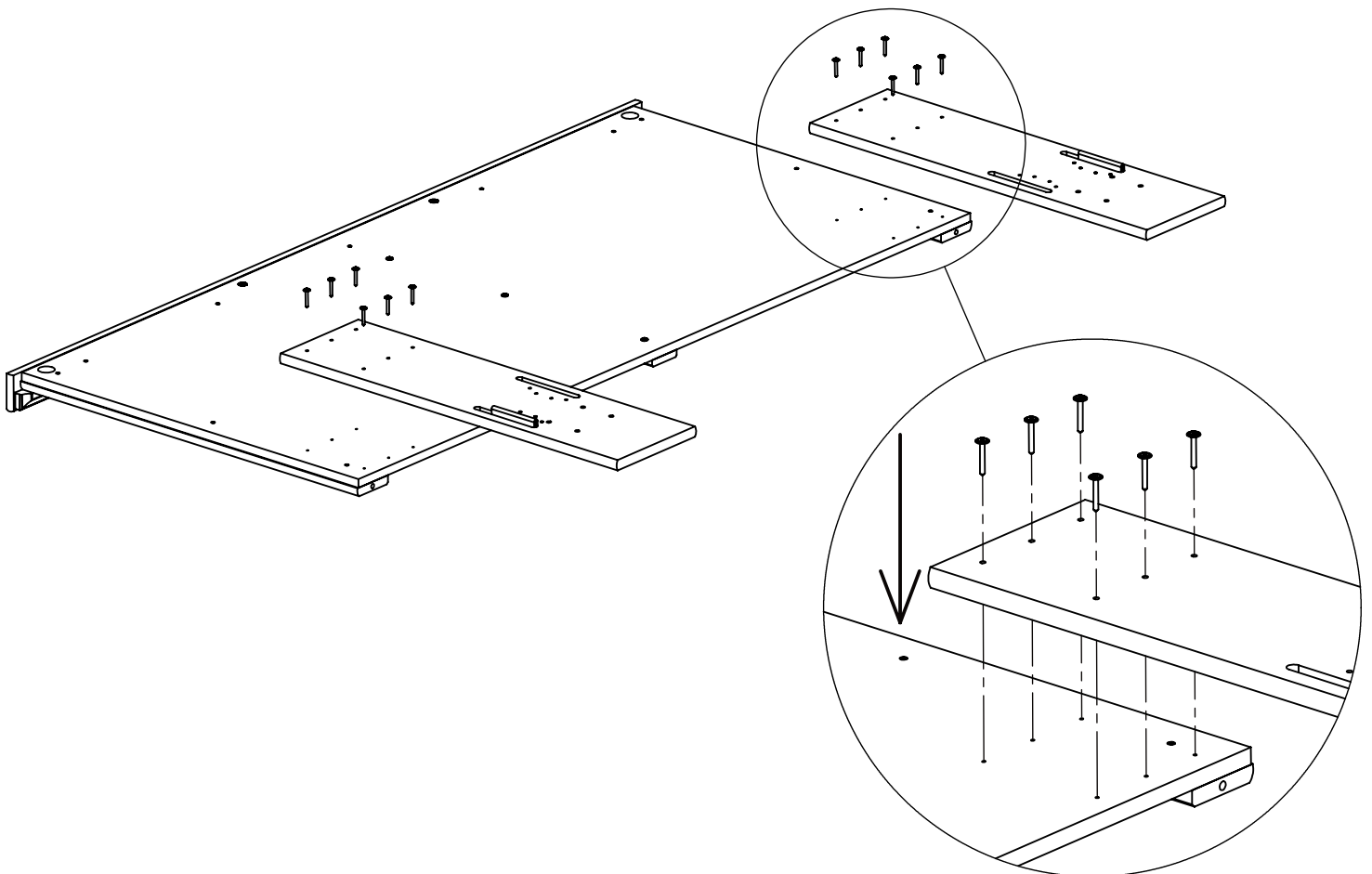
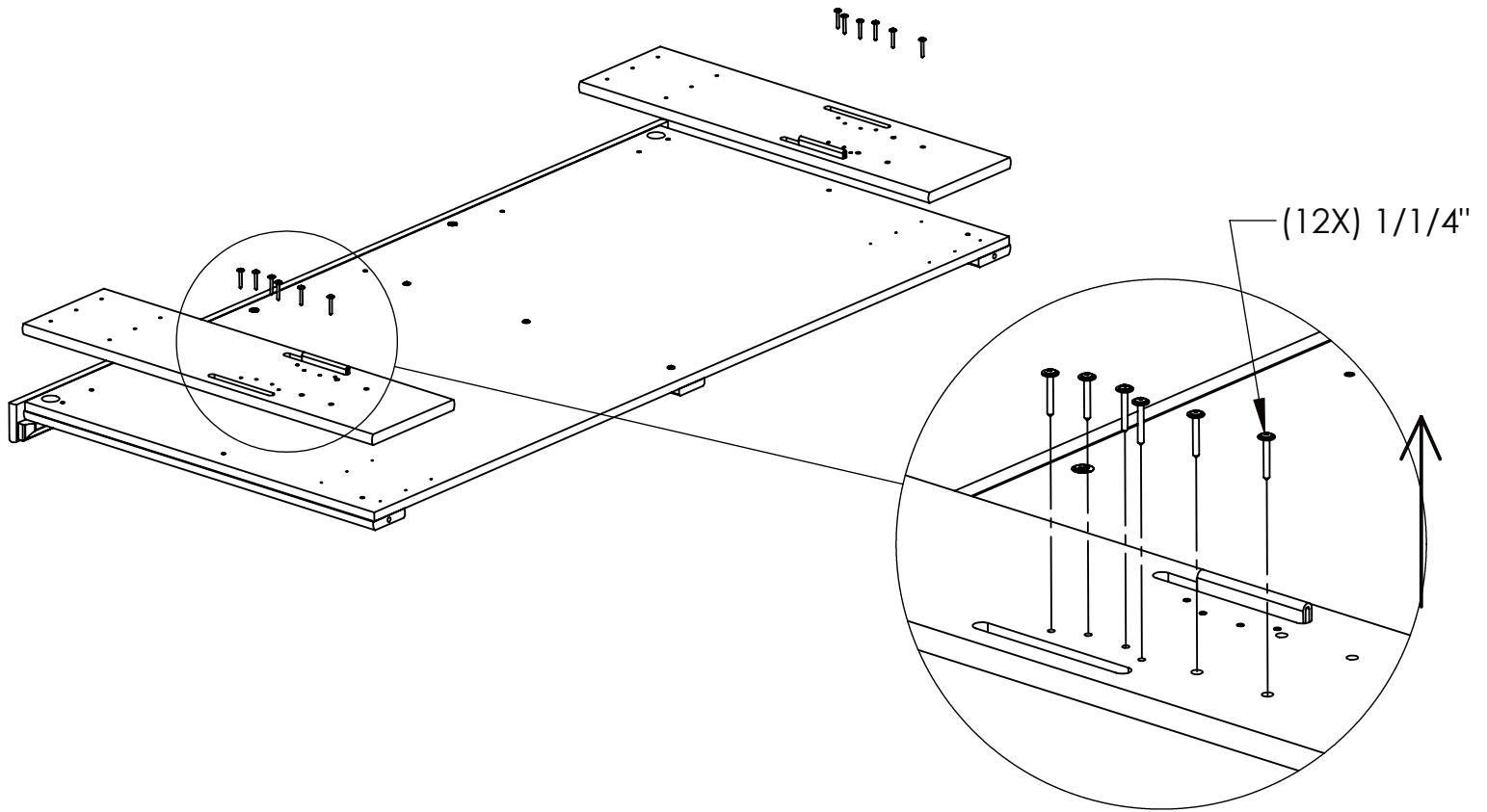


This bag contains small parts that present a choking hazard for children under 3 years of age. These parts are for adult assembly only and should be permanently affixed to the furniture. Any unused parts should be discarded properly.

DWG#: 141240

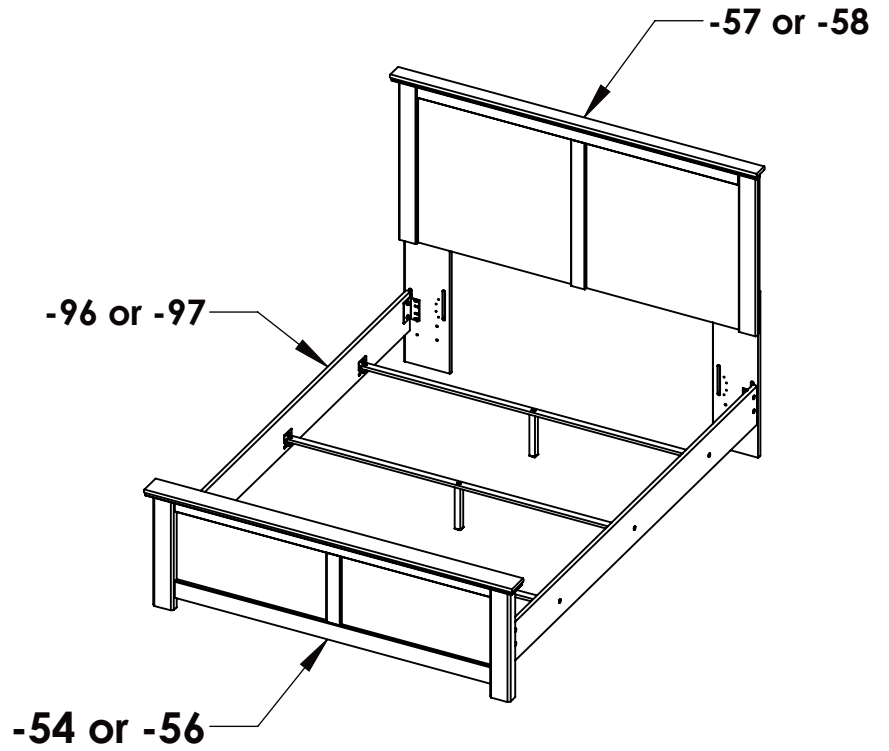
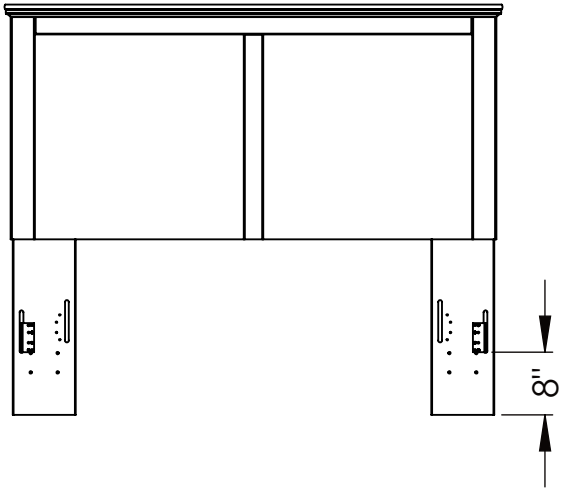
4/19/2011

Rev.	Description	Date	Cad/Eng
A	ADDED PAGE 2	11/18/2011	TH/CE





-54, -57, -96 = Queen
-56, -58, -97 = King



-54S, -57, -95, B100-13 = Queen
-56S, -58, -95, B100-14 = King

